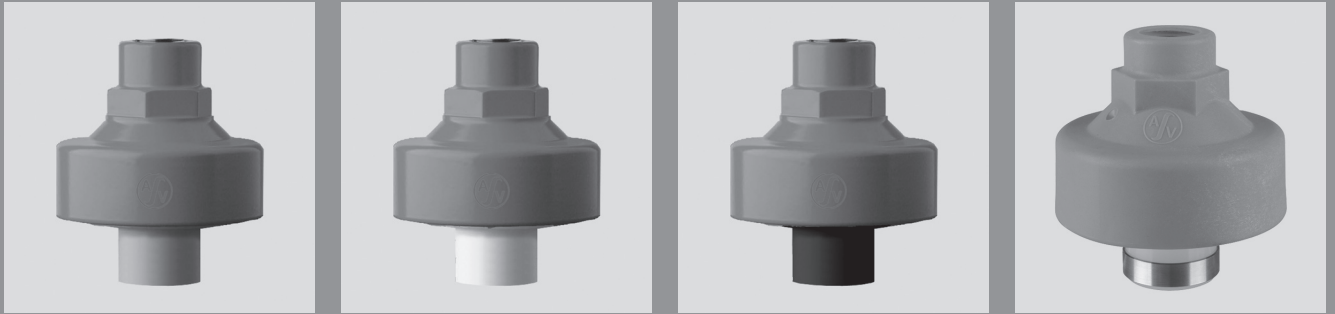


Diaphragm pressure gauge guard MDM 902

corrosion-free pressure transmission for aggressive media



Application

- chemical plants
- electroplating plants

Utilisation

- for corrosion-free pressure transmission between the medium and the measuring instrument

Pressure Transmission

- The system pressure is transmitted to the measuring instrument by a large diaphragm via transmitter fluid.

Flow Media

- Neutral and aggressive fluids free of solid particles, provided that the valve components coming into contact with the fluids are resistant at the operating temperature in accordance with the ASV resistance guide.

Fluid Temperature

- see pressure/temperature diagram

Operating Pressure

- see pressure/temperature diagram

Nominal Pressure (H₂O, 20°C)

- PN 10

Size

- DN 20 - DN 25

Bonnet

- PP, glass fibre reinforced

Bottom Section

- PVC-U
- PP
- PVDF

Diaphragm

- PTFE (EPDM diaphragm with PTFE coating on the surfaces coming into contact with the medium)

Transmitter Fluid

- Glysantin

Connection

- spigot end for solvent welding DIN ISO (PVC-U), d 25/d 32
- fusion spigot end DIN ISO (PP), d 25/d 32
- fusion spigot end DIN ISO (PVDF), d 25/d 32
- female threaded socket G DIN ISO 228-1, 1/2" / 1/4"
- female threaded socket NPT, 1/2" / 1/4"

Pressure Gauge Connection

- bonnet, female thread G 1/4" / G 1/2"

Option

- pressure gauge in standard version
- measuring system: copper alloy
- pressure gauge in chemical version
- measuring system: chrome nickel steel (1.4571)
- pressure gauge in chemical version, liquid-damped
- measuring system: chrome nickel steel (1.4571)
- pressure transducer

Attention

- Optional MDM 902 with pressure gauge!

Colour

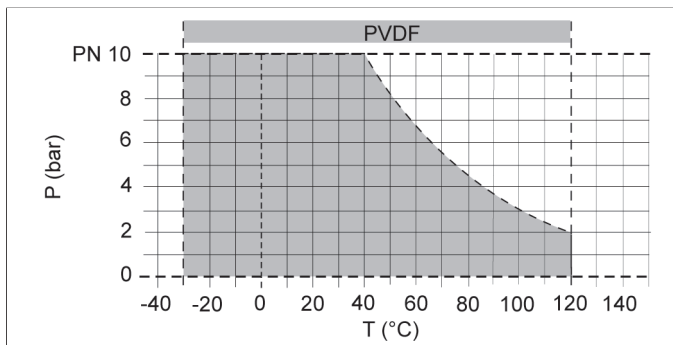
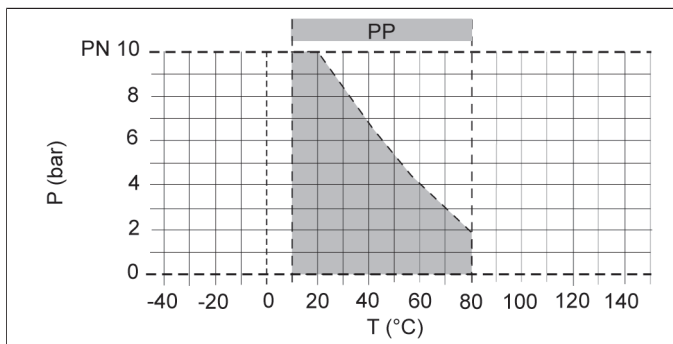
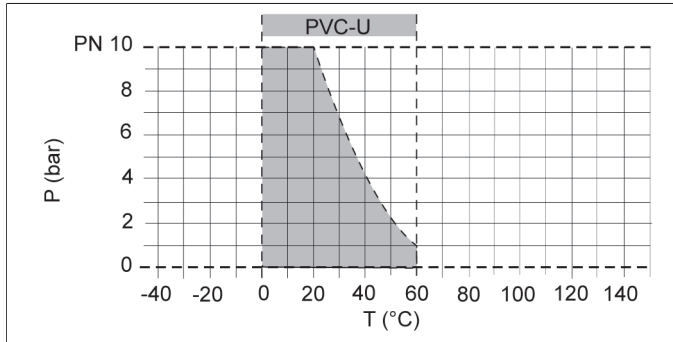
- bonnet: orange, RAL 2004
- PVC-U: grey, RAL 7011
- PP: grey, RAL 7032
- PVDF: opaque, yellowish-white

Mounting

- as required, preferably measuring instrument at the top

Pressure measurement, Diaphragm pressure gauge guard MDM 902

Pressure/temperature diagram



P = operating pressure

T = temperature

The pressure/temperature limits are applicable for the stated nominal pressures and a computed operating life factor of 25 years. These are standard values for harmless media (DIN 2403), to which the valve material is resistant.

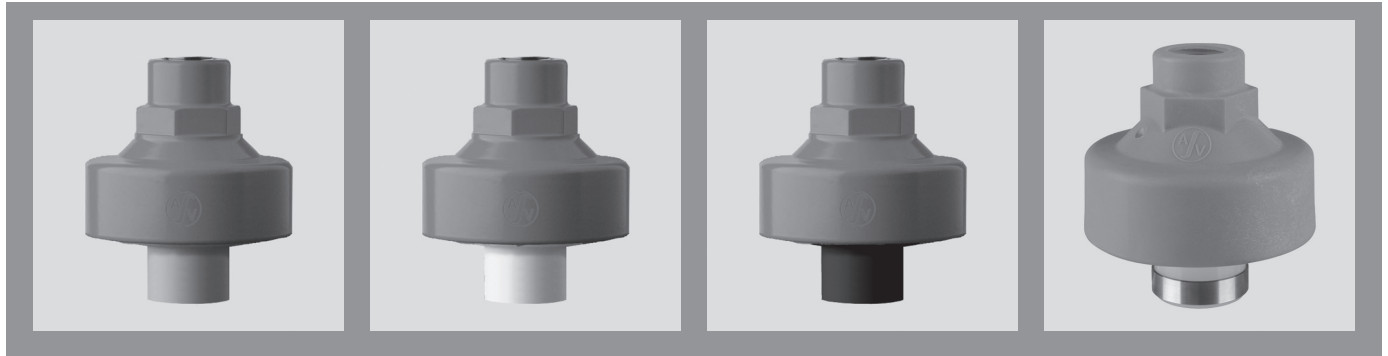
For other media please refer to the ASV resistance guide.

The durability of wear parts depends on the operating conditions of the application.

For temperatures below 0°C (PP < +10°C) please specify the precise operating conditions of the application.

The rated pressure depends on the valve size and material. For the corresponding rated pressure value of the valve, please refer to the »Order table«.

Pressure measurement, Diaphragm pressure gauge guard MDM 902



body PVC-U

<i>size</i>	d(mm)		25	32
	<i>pressure range</i>	DN(mm)	20	25
		PN(bar)	10	10
<i>Connection</i>	<i>sealing</i>	<i>ident No.</i>		
	PVC-U female threaded sockets NPT	PTFE	135539	135542
		<i>weight</i>	0.25 kg	0.46 kg
PVC-U spigot end DIN ISO	PTFE		135533	135536
	<i>weight</i>		0.25 kg	0.46 kg

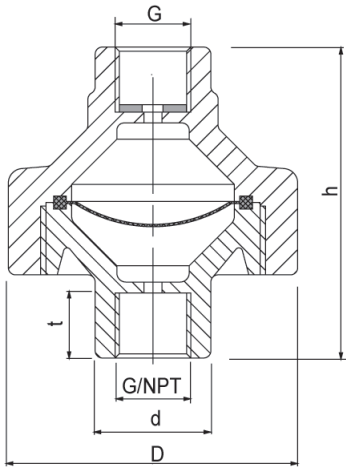
body PP

<i>size</i>	d(mm)		25	32
	<i>pressure range</i>	DN(mm)	20	25
		PN(bar)	10	10
<i>Connection</i>	<i>sealing</i>	<i>ident No.</i>		
	PP female threaded sockets NPT	PTFE	135540	135543
		<i>weight</i>	0.18 kg	0.32 kg
PP spigot end DIN ISO	PTFE		135534	135537
	<i>weight</i>		0.18 kg	0.32 kg

body PVDF

<i>size</i>	d(mm)		25	32
	<i>pressure range</i>	DN(mm)	20	25
		PN(bar)	10	10
<i>Connection</i>	<i>sealing</i>	<i>ident No.</i>		
	PVDF female threaded sockets NPT	PTFE	135541	135544
		<i>weight</i>	0.31 kg	0.59 kg
PVDF spigot end DIN ISO	PTFE		135535	135538
	<i>weight</i>		0.31 kg	0.59 kg

Pressure measurement, Diaphragm pressure gauge guard MDM 902



dimensions

d(mm)	25	32
DN(mm)	20	25
G(inch)	1/4	1/2
dimensions(mm)		
D	80	80
d	25	32
G	1/4	1/2
h	86	86
t	18	22