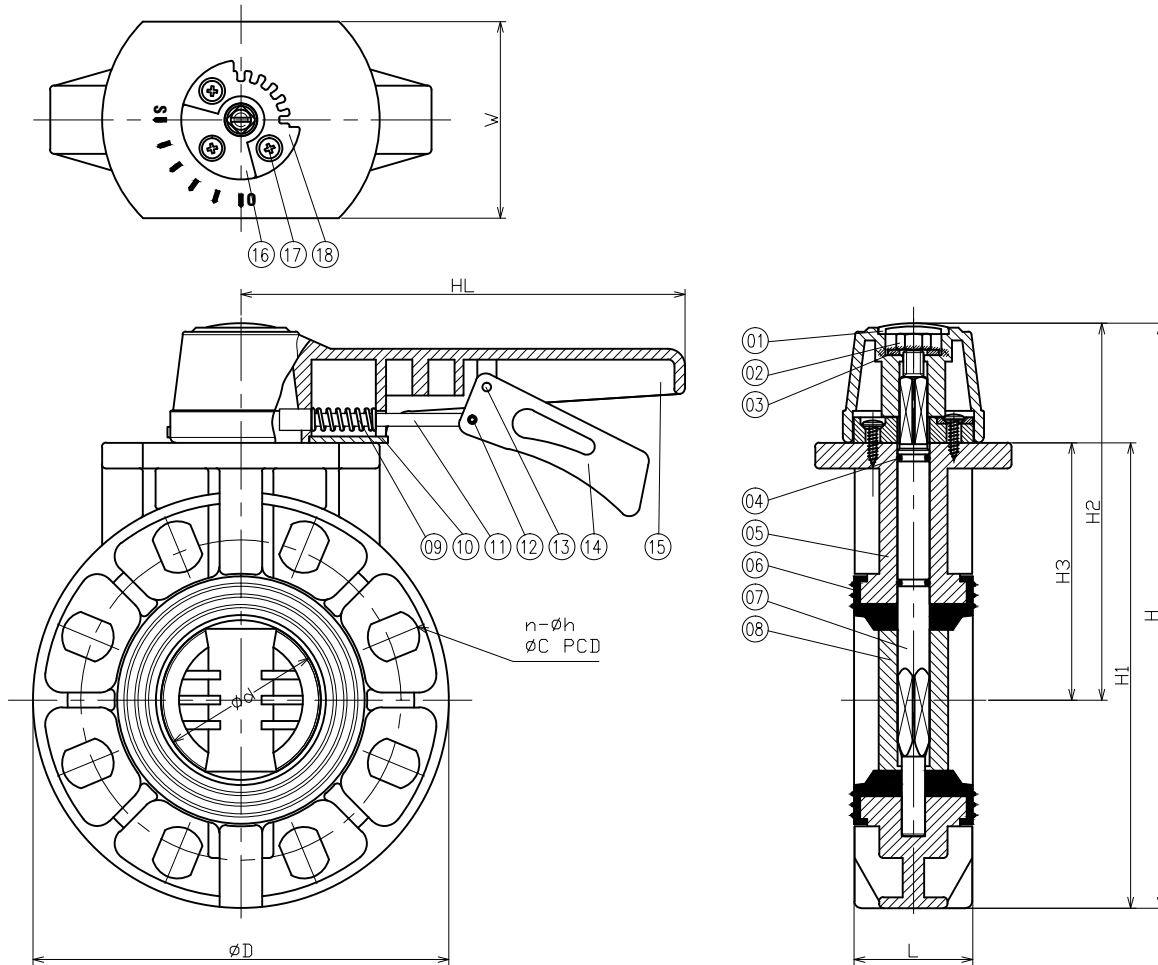


# MEFCO VALVE SERIES



NO	PART NAME	Q'ty	MATERIAL
1	HANDLE CAP	1	ABS
2	NUT	1	SUS27
3	WASHER	1	SUS27
4	O'RING	2	EPDM
5	BODY	1	□PVC □GF-PP
6	SEAT	1	EPDM
7	STEM	1	SUS410
8	DISC	1	PP
9	SPRING	1	SUS316
10	SPRING LOCK	1	ABS
11	HANDLE LEVER	1	SUS304
12	PIN	1	SUS27
13	PIN	1	SUS27
14	SMALL HANDLE	1	ABS
15	HANDLE	1	ABS
16	GEAR SEAT	1	ABS
17	BOLT	3	SUS27
18	LOCK PLATE	1	SUS304

Dimension Table

Designated Size	Nominal Diameter A(B)	Nominal Pressure MPa (at20')	Inside Diameter ød	Distance L	Outside Diameter øD	Flanged						Height (Reference)				W	HL
						ANSI 150LB		DIN PN10		JIS 10K							
						Center Diameter øC	Bolt Hole n-øh	Center Diameter øC	Bolt Hole n-øh	Center Diameter øC	Bolt Hole n-øh	H	H1	H2	H3		
□	50(2)	1.0	50	47.5	162	120.7	4-19	125	4-18	120	4-19	240	187	159	103	92	208
□	65(2-1/2)	1.0	64	42.5	178.5	139.5	4-19	145	4-18	140	4-19	259	203	170	114	92	208
□	80(3)	1.0	73	54	195	152.4	4-19	160	8-18	150	8-19	273	217	176	120	92	208
□	100(4)	1.0	98	55	225	190.5	8-19	180	8-18	175	8-19	302	246	189	134	92	208
□	125(5)	1.0	123	62	256	215.9	8-19	210	8-18	210	8-23	339	280	211	152	110	280
□	150(6)	1.0	143	66	282	241.5	8-22	240	8-23	240	8-23	368	308	227	168	110	280
□	200(8)	1.0	185	71	345	298.5	8-22	295	8-23	290	12-23	450	376	278	204	120	300

Please mark your requirement in the squares provided below.

Customer's Name		DATE	
Specification	Flange	<input type="checkbox"/> ANSI 150LB <input type="checkbox"/> DIN PN10 <input type="checkbox"/> JIS 10K	Approved By:
	Other Special Items		
Item	Butterfly Valve Handle Lever Type 50A~200A	Drawing No.	EN(50A~200A)