

Operating Temperature(°C)

PVC 0 ~ 50



Flange



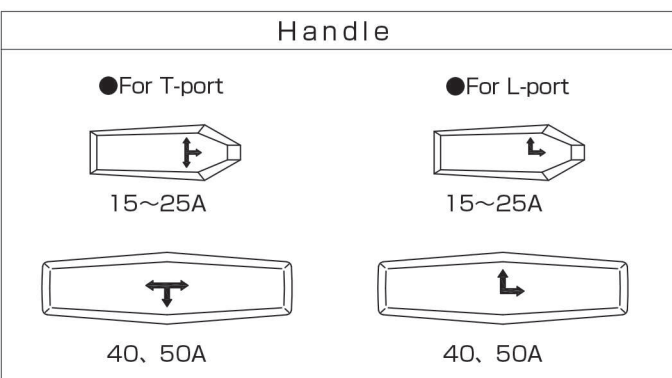
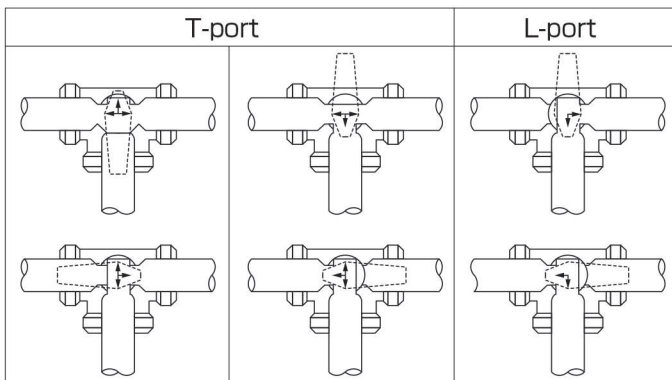
TS Socket·Thread

ESLON 3-WAY BALL VALVE

Feature

- Lock mechanism of ball stopper prevents popping out of the ball when Unit Nut of downstream side is loosened.
- Arrow marks on handle and body ensure flow direction.
- Two patterns of flow directional control available, T-Port and L-Port.

Flow Control Pattern by Handle Position



⚠ Important Notes

- Fluid containing slurry, solid, sediment, or crystallized fluid might disable sealing.

Maximum Working Pressure - Temperature Rating

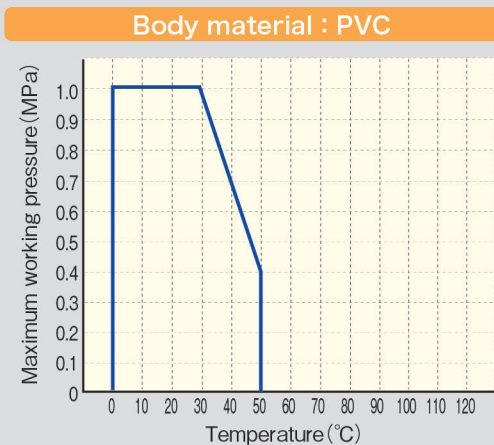
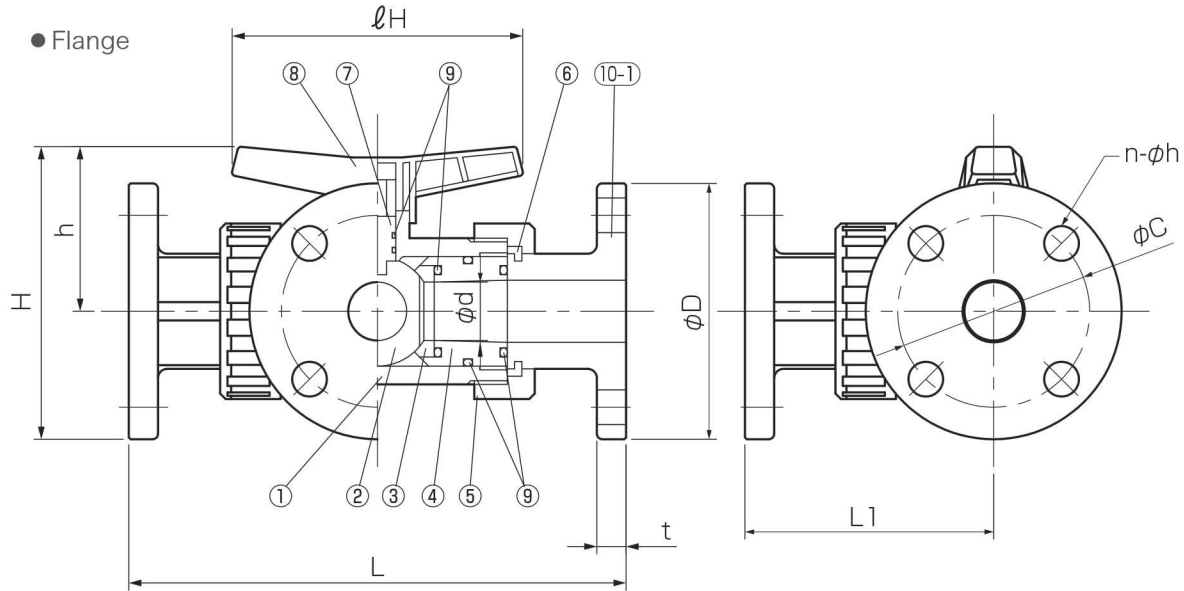
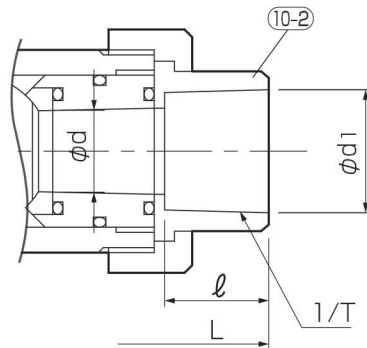


Figure (Flange Type · TS Socket Type · Thread Type)

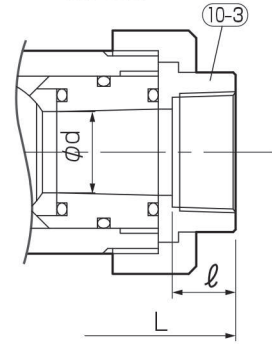

Parts List

No.	Part Name	QTY	Material
1	Body	1	PVC
2	Ball	1	PVC
3	Seat	4	PTFE
4	Ball Stopper	2	PVC
5	Union Nut	3	PVC
6	Set Ring	3	PVC
7	Stem	1	PVC
8	Handle	1	PVC
9	O-ring	11	● EPDM ● FKM
10-1	Flange	3	PVC
10-2	TS socket	3	PVC
10-3	Thread	3	PVC

● TS Socket



● Thread


Size
Flange Type

Size		d	L	L ₁	H	h	lH	Flange(JIS 10K)				Weight (kg/unit)
A	B							D	C	n-phi h	t	
15	1/2	11	163	82	95	48	73	95	70	4-15	14	0.8
20	3/4	16	200	100	102	52	85	100	75	4-15	14	0.9
25	1	20	221	111	126	64	94	125	90	4-19	16	1.5
40	1 1/2	32	272	136	160	90	160	140	105	4-19	18	2.5
50	2	38	306	153	176	98	160	155	120	4-19	20	4.0

TS Socket Type · Thread Type

Size		d	L		L ₁		H	h	lH	TS Socket			Thread		Weight(kg/unit)	
A	B		TS	Thread	TS	Thread				d ₁	1/T	l	Size	l	TS	Thread
15	1/2	11	129	118	65	59	73	48	73	22.3	1/34	24	Rc 1/2	13	0.3	0.3
20	3/4	16	151	134	76	67	81	52	85	26.3	1/34	28	Rc 3/4	15	0.4	0.4
25	1	20	175	156	88	78	98	64	94	32.4	1/34	32	Rc 1	17	0.6	0.6
40	1 1/2	32	232	203	116	102	138	90	160	48.5	1/37	41	Rc 1 1/2	19	1.5	1.5
50	2	38	260	225	130	113	154	98	160	60.6	1/37	47	Rc 2	23	2.3	2.2