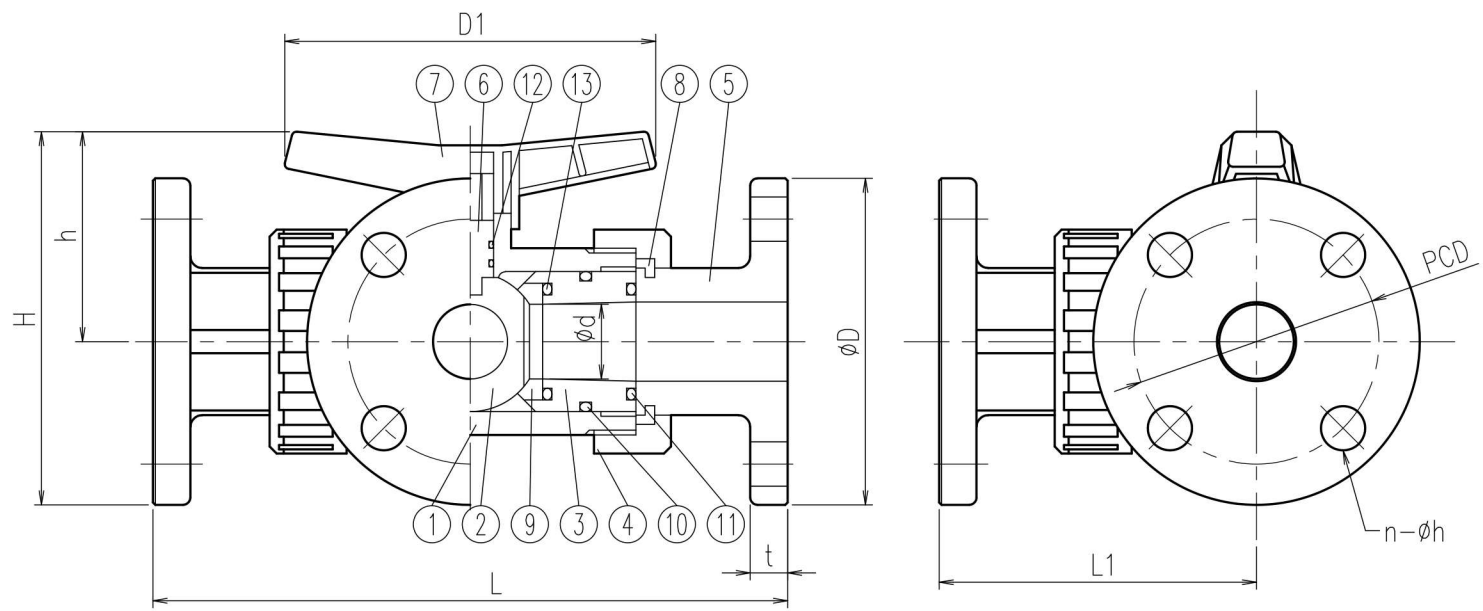


No.	Part Name	Q'TY	Material/Type
1	Body	1	PVC
2	Ball	1	
3	Ball holder	2	
4	Union nut	3	
5	Flange end	3	
6	Stem	1	
7	Handle	1	
8	Set ring	3	PTFE
9	Ball seat	4	
10	Body O-ring	2	
11	Union O-ring	3	□EPDM
12	Stem O-ring	2	□FKM
13	Backup O-ring	4	



Dimension Table

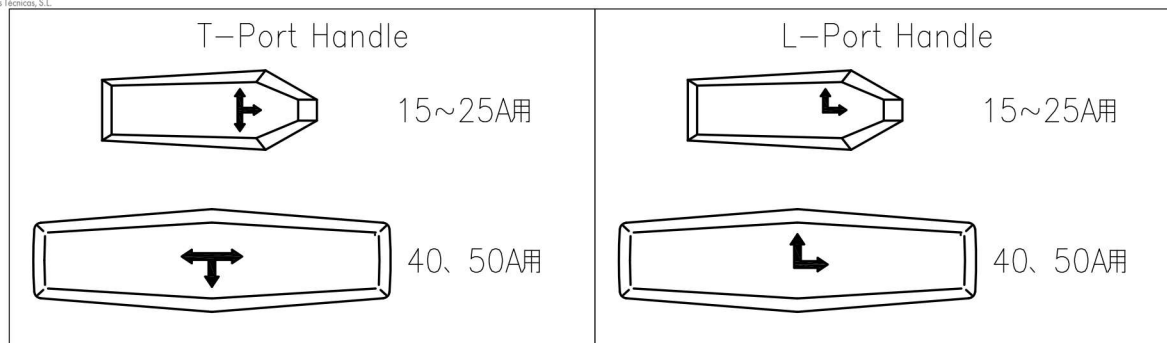
Unit:mm

Size	A (B)	ød	L	L1	Flange				H	h	D1
					øD	øC	n-øh	t			
□ 15 (1/2)		11	163	81.5	95	70	4-15	14	95	48	73
□ 20 (3/4)		16	200	100.0	100	75	4-15	14	102	52	85
□ 25 (1)		20	221	110.5	125	90	4-19	16	126	64	94
□ 40 (1·1/2)		32	272	136.0	140	105	4-19	18	160	90	160
□ 50 (2)		38	306	153.0	155	120	4-19	20	176	98	160

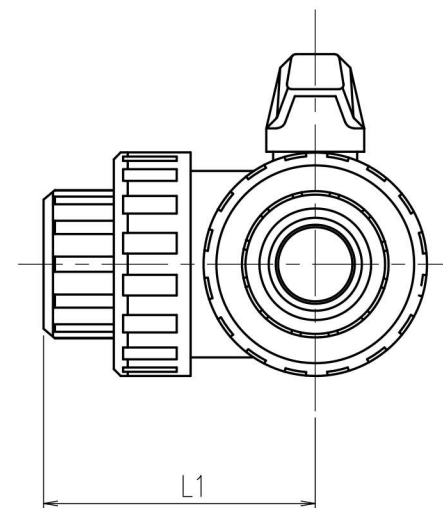
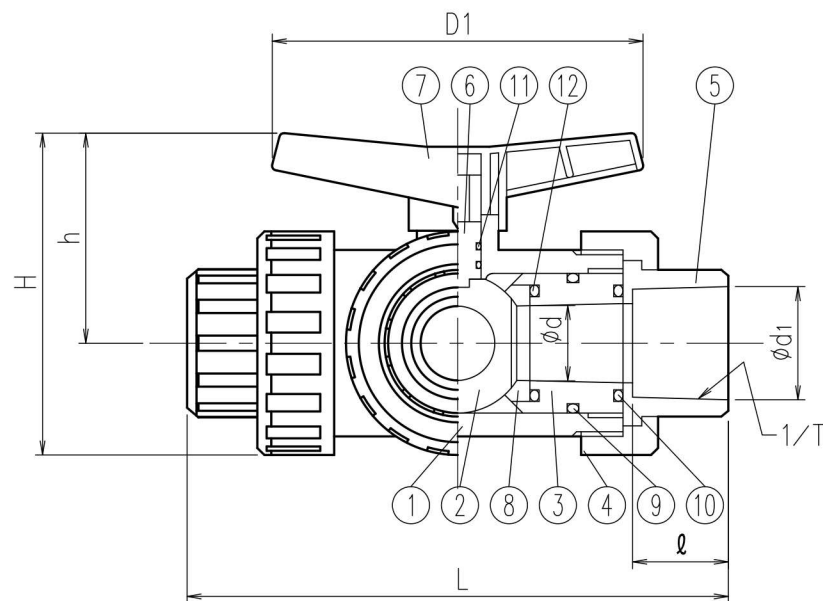
Client name		Date
Port	□T-Port □L-Port	Approved by:
Rinsed	□YES	

ESLON
3-Way Ball Valve Flange 15-50A
Drawing No. TV1550FE

SEKISUI SEKISUI CHEMICAL CO.,LTD.



No.	Part Name	Q'TY	Material/Type
1	Body	1	PVC
2	Ball	1	
3	Ball holder	2	
4	Union nut	3	
5	TS Socket	3	
6	Stem	1	
7	Handle	1	
8	Ball seat	4	PTFE
9	Body O-ring	2	EPDM
10	Union O-ring	3	
11	Stem O-ring	2	
12	Backup O-ring	4	FKM



Dimension Table

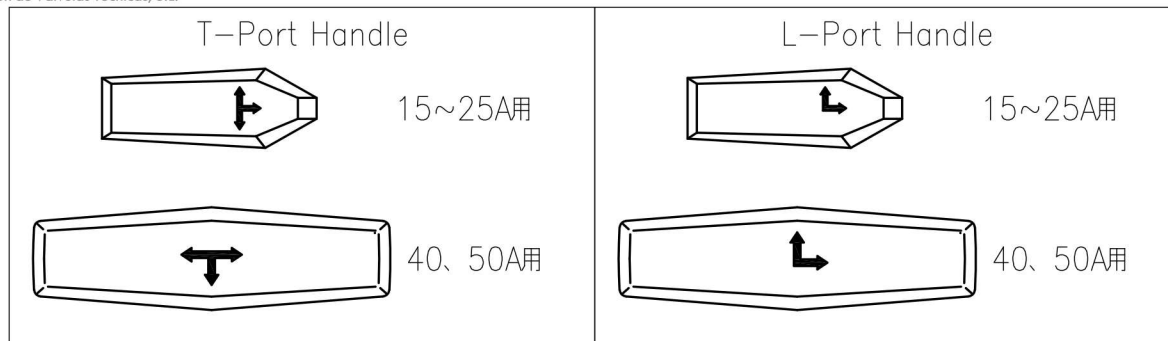
Unit:mm

Size	A (B)	ød	L	L1	TS Socket			H	h	D1
					ø d1	1/T	ℓ			
□ 15 (1/2)		11	129	64.5	22.3	1/34	24	73	48	73
□ 20 (3/4)		16	151	75.5	26.3	1/34	28	81	52	85
□ 25 (1)		20	175	87.5	32.4	1/34	32	98	64	94
□ 40 (1·1/2)		32	232	116.0	48.5	1/37	41	138	90	160
□ 50 (2)		38	260	130.0	60.6	1/37	47	154	98	160

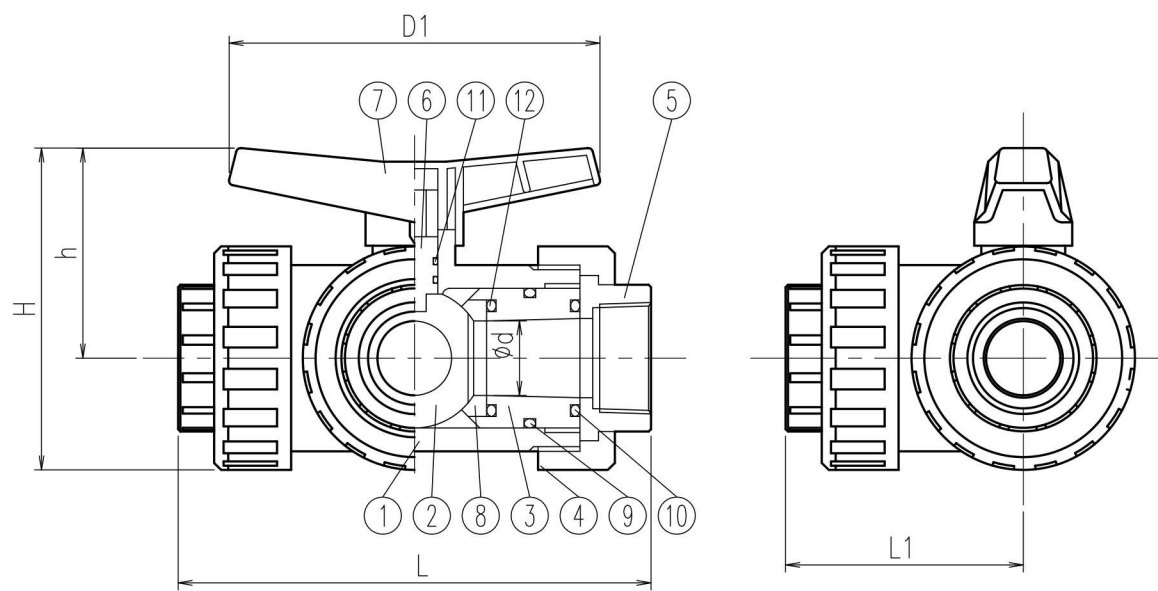
Client name		Date
Port	<input type="checkbox"/> T-Port <input type="checkbox"/> L-Port	Approved by:
Rinsed	<input type="checkbox"/> YES	

ESLON
3-Way Ball Valve TS Socket 15-50A
Drawing No. TV1550SE

SEKISUI SEKISUI CHEMICAL CO.,LTD.



No.	Part Name	Q'TY	Material/Type
1	Body	1	PVC
2	Ball	1	
3	Ball holder	2	
4	Union nut	3	
5	Thread	3	
6	Stem	1	
7	Handle	1	
8	Ball seat	4	PTFE
9	Body O-ring	2	□EPDM □FKM
10	Union O-ring	3	
11	Stem O-ring	2	
12	Backup O-ring	4	



Dimension Table

Unit:mm

Size	A (B)	ød	L	L1	Thread	H	h	D1
□ 15 (1/2)	11	11	118	59.0	Rc1/2	73	48	73
□ 20 (3/4)	16	16	134	67.0	Rc3/4	81	52	85
□ 25 (1)	20	20	156	78.0	Rc1	98	64	94
□ 40 (1·1/2)	32	32	203	101.5	Rc1·1/2	138	90	160
□ 50 (2)	38	38	225	112.5	Rc2	154	98	160

Client name		Date
Port	□T-Port □L-Port	Approved by:
Rinsed	□YES	

ESLON
3-Way Ball Valve Thread 15-50A
Drawing No. TV1550NE

SEKISUI SEKISUI CHEMICAL CO.,LTD.