

## 6.01 Laboratory ball valve

### Product information

**Material**

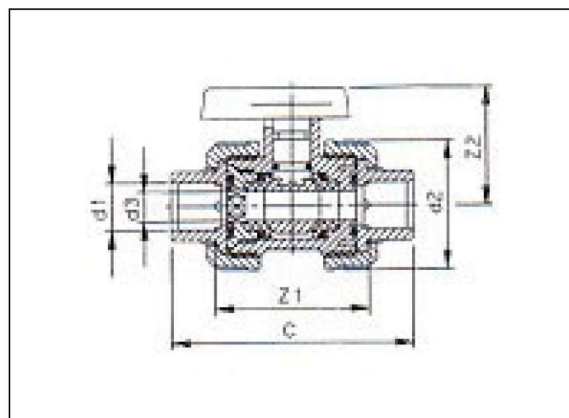
- PVC-U = Unplasticised Polyvinylchloride

**Gaskets**

- EPDM

**Manufacture**

- Injection moulded



### Available items

ART.CODE	d1	d2	d3	Z1	Z2	C	DN	PN	Verp
6.01.012	12	39	8	46	35	70	8	16	50
6.01.016	16	43	10	52	39	80	10	16	50