

# DESTAR INDUSTRY CO.,LIMITED

Address: North 1st Block, Dong An, JiMei District, Xiamen, Fujian, China  
Tel: 86-592-6211624 Fax: 86-592-6244564 Mail: ds@cndestar.com

## 3-Way True Union Ball Valve

### ADVANTAGES:

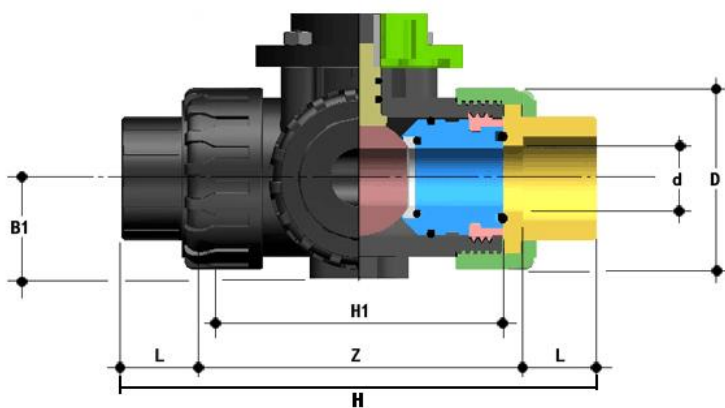
- 1) Materials meet drinking water standard
- 2) Simplifies Lateral Connections
- 3) Replacement for Zero Dead-Leg Valves
- 4) Replaces Valve/Tee Connection Combinations
- 5) Smooth opening & closing thanks to a lower torque
- 6) 100% pressure testing before leaving the factory
- 7) Can be assembled with Pneumatic/Electric Actuators
- 8) All ball & stem are specially produced in CPVC for better performance



### DESCRIPTION:

- 1) Material: UPVC, PPH, CPVC
- 2) Size: 1/2" - 2"; 20mm - 63mm; DN15 - DN50
- 3) Standard: ANSI, DIN, JIS, CNS
- 4) Joint End: Socket, Threaded(NPT, PT, BSPF)
- 5) Seat - PTFE; ORING - EPDM, VITON/FKM
- 6) Working Pressure: 150 PSI
- 7) Operating Temperature: UPVC(0~55°C); CPVC & PPH(0~95°C)
- 8) Handle color : red, blue, orange or others as requested  
Valve body color : UPVC(dark gray), CPVC(light gray),  
PPH(beige color)

### SPECIFICATIONS:



UNIT: MM

SIZE	D	d	B1	H	H1	Z	L	operating torque (N.M)
1/2"(15)	54.00	14.00	30.00	137.00	81.00	91.00	22.00	3.50
3/4"(20)	69.00	22.00	38.50	172.00	109.00	123.00	24.50	3.50
1"(25)	82.00	25.00	46.00	200.00	130.00	144.00	28.00	4.50
1 1/4"(32)	82.00	25.00	46.00	208.00	130.00	144.00	32.00	4.50
1 1/2"(40)	117.00	38.00	64.00	240.00	154.00	171.00	34.50	5.50
2"(50)	117.00	38.00	64.00	246.00	154.00	171.00	37.50	5.50

### EXPLOSIVE DETAILS:

- 1.Handle Cap
- 2.Hanlde
- 3.Stem O-ring
- 4.Stem
- 5.Support for ball seat
- 6.Ball
- 7.Ball Seat
- 8.Support O-ring for ball seat
- 9.Radial seal O-ring
- 10.End Connector
- 11.Union Nut
- 12,Valve Body
- 13.Socket seal O-ring
- 14.Stop Ring

