

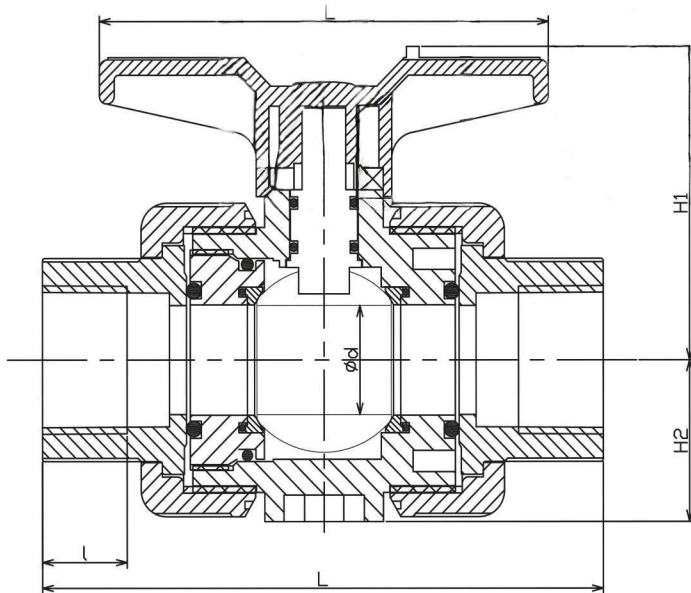
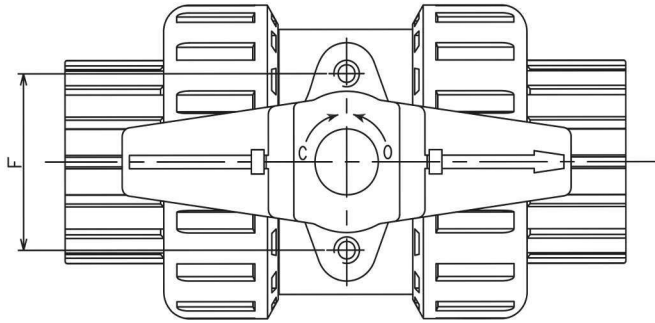
NO	PART NAME	Q'ty	MATERIAL
1	HANDLE	1	ABS
2	STEM	1	PVC
3	STEM O-RING	2	EPDM
4	UNION NUT	2	PVC
5	UNION END	2	PVC
6	END SEAL	2	EPDM
7	SPACER	1	PVC
8	SPACER SEAL	1	EPDM
9	BODY	1	PVC
10	BALL	1	PVC
11	SEAT	2	PTFE
12	SEAT SEAL	2	EPDM

Dimension Table

Designated Size	Nominal Diameter A(B)	Nominal Pressure MPa (at 20°)	Distance L	Inside Diameter ød	Outside Diameter øDu	Socket						L	H1	H2	HL	F	M	
						ANSI			DIN		JIS							
						Diameter ød1	Diameter ød2	Diameter ød1	Diameter ød2	Diameter ød1	Diameter ød2							
□ 15(1/2)	1.0	104	15	53	21.54	21.23	20.3	20.1	22.40	21.52	22.5	53	25	84	31	M6		
□ 20(3/4)	1.0	117	20	61	26.87	26.57	25.3	25.1	26.45	25.42	26	61	29	90	33	M6		
□ 25(1)	1.0	132	25	71	33.67	33.27	32.3	32.1	32.55	31.37	30	71	36.5	106	40	M6		
□ 32(1-1/4)	1.0	147	32	83	42.42	42.04	40.3	40.1	38.60	37.31	32	82.5	41	116	52	M8		
□ 40(1-1/2)	1.0	167	40	96	48.56	48.11	50.3	50.1	48.70	47.21	36	91	48	128	52	M8		
□ 50(2)	1.0	179	50	116	60.63	60.17	63.3	63.1	60.80	59.10	40	110	54.5	140	70	M8		

Please mark your requirement in the squares provided below.

Customer's Name		DATE	
Specification	Socket	<input type="checkbox"/> ANSI	<input type="checkbox"/> JIS
	Cleaning Disposal	<input type="checkbox"/> DIN	<input type="checkbox"/> Necessary
	Other Special Items		
Item	True Union Ball Valve-Support 15A~50A	Drawing No.	Approved By:
			BD(15A-50A) -SOCKET



NO	PART NAME	Q'ty	MATERIAL
1	HANDLE	1	ABS
2	STEM	1	
3	STEM O-RING	2	EPDM
4	UNION NUT	2	
5	UNION END	2	
6			
7	SPACER	1	
8	SPACER SEAL	1	
9	BODY	1	
10	BALL	1	
11	SEAT	2	PTFE
12		2	

Dimension Table

Designated Size	Nominal Diameter A(B)	Nominal Pressure MPa (at 20°)	Distance L	Inside Diameter ϕd	Outside Diameter ϕDu	Female Thread						H1	H2	HL	F		
						NPT		Rp		thd./in	L<min>					thd./in	L<min>
						thd./in	L<min>	thd./in	L<min>								
□ 15(1/2)	1.0	104	15	53		16.5	14	15		13	53	25	84	31			
□ 20(3/4)	1.0	117	20	61	I	17	14	16.5		15	61	29	90	33			
□ 25(1)	1.0	132	25	71	11.5	21	11	19		17	71	36.5	106	40			
□ 32(1-1/4)	1.0	147	32	83	11.5	22	11	22		19	82.5	41	116	52			
□ 40(1-1/2)	1.0	167	40	96	11.5	22	11	22		19	91	48	128	52			
□ 50(2)	1.0	179	50	116	11.5	23	11	26		23	110	54.5	140	70			

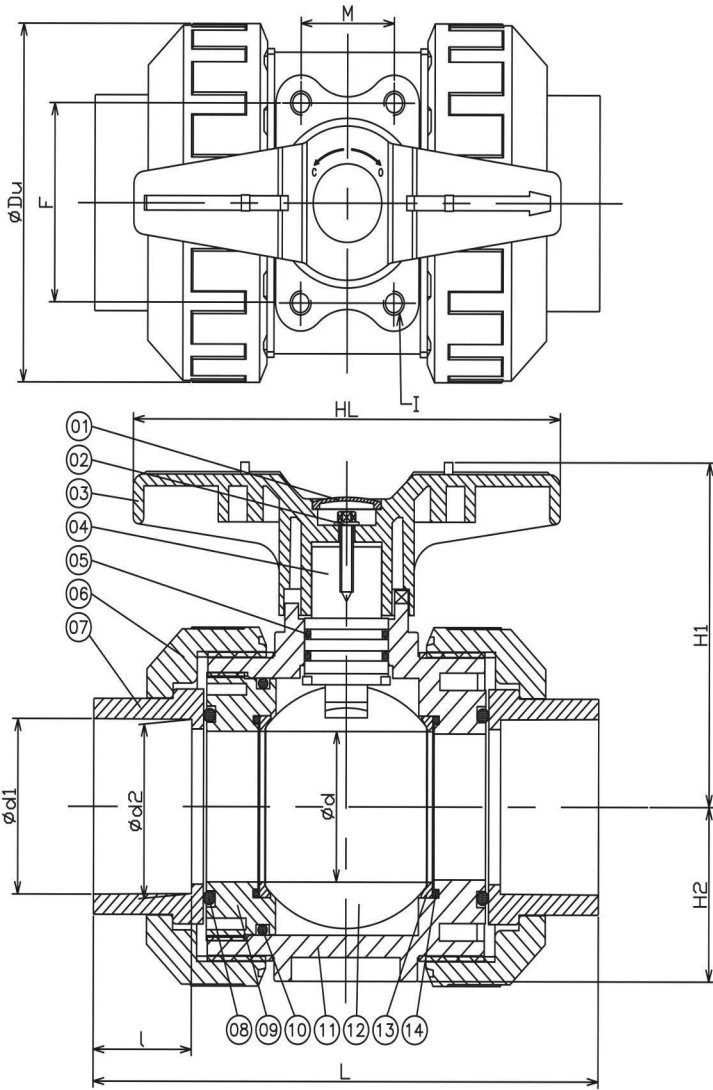
Please mark your requirement in the squares provided below.

Customer's Name		DATE	
Specification	Female Thread	<input type="checkbox"/> NPT	<input type="checkbox"/> Rc
	Cleaning/Disposal	<input type="checkbox"/> Rp	<input type="checkbox"/> Necessary
Item	True Union Ball Valve-Support		Approved By:
	15A~50A		
Drawing No.		-THREAD	

Divatec
Distribuidores de Válvulas Técnicas, S.L.

Avda. de Europa, Nº 14, 28330 Madrid, E.S.P.
28070 San Juan de los Baños (Madrid)
T 91 272 22 24 F 91 272 22 26

comercial@divatec.com
www.divatec.com



NO	PART NAME	Q'ty	MATERIAL
1	HANDLE CAP	1	ABS
2	BOLT	1	SUS304
3	HANDLE	1	ABS
4	STEM	1	PVC
5	STEM O-RING	2	EPDM
6	UNION NUT	2	PVC
7	UNION END	2	PVC
8	END SEAL	2	EPDM
9	SPACER	1	PVC
10	SPACER SEAL	1	EPDM
11	BODY	1	PVC
12	BALL	1	PVC
13	SEAT	2	PTFE
14	SEAT SEAL	2	EPDM

Dimension Table

Designated Size	Nominal Diameter A(B)	Nominal Pressure MPa (at20°)	Distance L	Inside Diameter ød	Outside Diameter øDu	Socket						L	H1	H2	HL	F	M	I
						ANSI		DIN		JIS								
						Diameter ød1	Diameter ød2	Diameter ød1	Diameter ød2	Diameter ød1	Diameter ød2							
□	65(2-1/2)	1.0	241	63	150	73.38	72.85	75.30	75.10	76.60	75.33	45	144	73	204	83.6	44.6	M10
□	80(3)	1.0	271	75	166	89.31	88.70	90.30	90.10	89.60	88.29	48	151	84.5	204	83.6	44.6	M10
□	100(4)	1.0	323	97	210	114.76	114.07	110.40	110.10	114.70	113.20	58	180	104	249	121	49	M12

Please mark your requirement in the squares provided below.

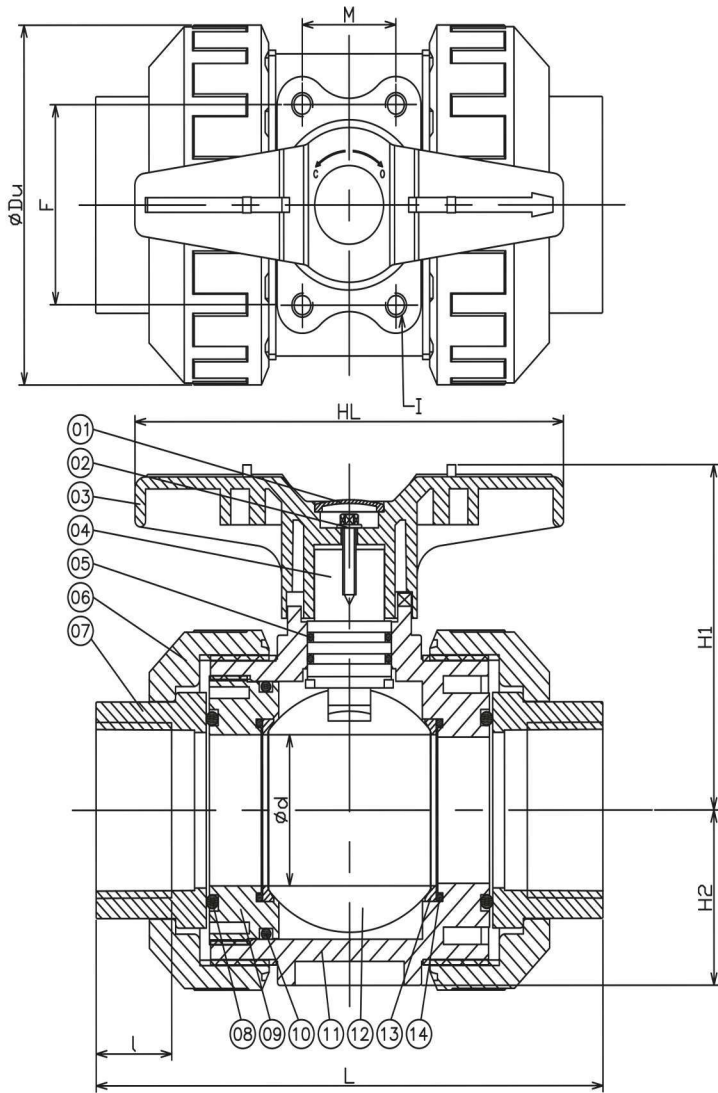
Customer's Name		DATE	
Specification	Socket	<input type="checkbox"/> ANSI	<input type="checkbox"/> JIS
	Cleaning Disposal	<input type="checkbox"/> DIN	Approved By:
	Other Special Items	<input type="checkbox"/> Necessary	
Item	True Union Ball Valve-Support 65A~100A	Drawing No.	BD(65A-100A) -SOCKET



Barcelona, Josep Mª Jorba, 22-25 Parcel·L3, 71
08970 Sant Joan de Vilatorrada
T 93 972 22 54 | F 93 971 30 86

comercial@divatec.com
www.divatec.com

Distribución de Válvulas Teleson, S.L.



NO	PART NAME	Q'ty	MATERIAL
1	HANDLE CAP	1	ABS
2	BOLT	1	SUS304
3	HANDLE	1	ABS
4	STEM	1	PVC
5	STEM O-RING	2	EPDM
6	UNION NUT	2	PVC
7	UNION END	2	PVC
8	END SEAL	2	EPDM
9	SPACER	1	PVC
10	SPACER SEAL	1	EPDM
11	BODY	1	PVC
12	BALL	1	PVC
13	SEAT	2	PTFE
14	SEAT SEAL	2	EPDM

Please mark your requirement in the squares provided below.

Customer's Name		DATE	
Specification	Female Thread	<input type="checkbox"/> NPT	<input type="checkbox"/> Rc
	Cleaning Disposal	<input type="checkbox"/> Rp	<input type="checkbox"/> Necessary
	Other Special Items		
Item	True Union Ball Valve-Support 65A~100A	Approved By:	BD(65A-100A) -THREAD

Dimension Table

Designated Size	Nominal Diameter A(B)	Nominal Pressure MPa (at20°)	Distance L	Inside Diameter ϕd	Outside Diameter ϕDu	Female Thread						H1	H2	HL	F	M	I
						NPT		Rp		Rc							
						thd./in	l(<min)	thd./in	l(<min)	thd./in	l(<min)						
<input type="checkbox"/>	65(2-1/2)	1.0	241	63	150	8	31	11	31	11	27	144	73	204	83.6	44.6	M10
<input type="checkbox"/>	80(3)	1.0	271	75	166	8	33	11	34	11	30	151	84.5	204	83.6	44.6	M10
<input type="checkbox"/>	100(4)	1.0	323	97	210	8	35	11	40	11	36	180	104	249	121	49	M12

Divatec
Distribución de Válvulas Técnicas, S.L.

Sanlúcar de Barrameda, Cádiz, España
010970 Sanlúcar de Barrameda (Cádiz)
T 952 322 23 54 F 952 371 10 50

www.divatec.com
www.divatec.com