

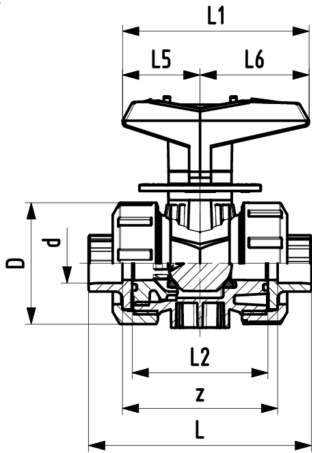
Linear ball valve type 546 PVC-C
With mounting inserts/With PB INSTAFLEX sockets metric

Model:

- Excellent control characteristics
- Designed for easy installation and removal
- Ball seat PTFE
- Angle of operation 90° with scale
- Integrated stainless steel mounting inserts

Option:

- Individual configuration of the valve
- Pneumatic or electric actuators from GF
- Other materials on demand



d (mm)	DN (mm)	PN (bar)	kv-value ($\Delta p=1$ bar) (L/min)	EPDM Code	SP	Weight (kg)
20	15	10	185	761 066 349	1	0.017
25	20	10	350	761 066 356	1	0.255
32	25	10	700	761 066 357	1	0.349
40	32	10	1000	761 066 358	1	0.648
50	40	10	1600	761 066 359	1	0.894
63	50	10	3100	761 066 278	1	1.546

d (mm)	D (mm)	H (mm)	H1 (mm)	L (mm)	L1 (mm)	L2 (mm)	L4 (mm)	L5 (mm)	L6 (mm)	z (mm)	closest inch (inch)
20	50	57	27	95	77	56	25	32	45	64	1/2
25	58	67	30	110	97	65	25	39	58	72	3/4
32	68	73	36	123	97	71	25	39	58	79	1
40	84	90	44	146	128	85	45	54	74	94	1 1/4
50	97	97	51	157	128	89	45	54	74	95	1 1/2
63	124	116	64	183	152	101	45	66	87	107	2

The technical data are not binding. They neither constitute expressly warranted characteristics nor guaranteed properties nor a guaranteed durability. They are subject to modification. Our General Terms of Sale apply.

Georg Fischer Piping Systems Ltd, Postfach, CH-8201 Schaffhausen/Switzerland Phone +41 -(0)52-631 1111 e-mail: info.ps@georgfischer.com Internet: <http://www.gfps.com>