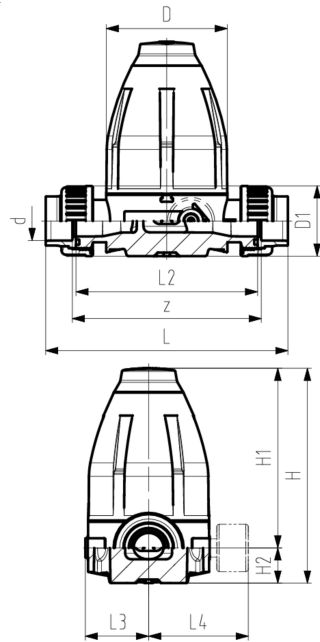


Pressure retaining valve type 586 PVC-U
Unions with solvent cement sockets ASTM
Without manometer

Model:

- Diaphragm PTFE/EPDM
- Integrated stainless steel mounting inserts
- 0.5-9.0 bar (7-130 psi)

0.3-3.0 bar (4-44 psi) on request
 Manometer on request



d (mm)	DN (mm)	Size (inch)	PN (bar)	O-rings EPDM Code	Weight (kg)	SP	GP	O-rings FKM Code
20	15	½	10	161 586 202	0.690	1		161 586 212
25	20	¾	10	161 586 203	1.510	1		161 586 213
32	25	1	10	161 586 204	1.540	1		161 586 214
40	32	1 ¼	10	161 586 205	4.200	1		161 586 215
50	40	1 ½	10	161 586 206	4.260	1		161 586 216
63	50	2	10	161 586 207	4.500	1		161 586 217

D (mm)	D1 (mm)	H (mm)	H1 (mm)	H2 (mm)	H3 (mm)	L (mm)	L2 (mm)	L3 (mm)	M	z (mm)	Inch (inch)
79	43	132	111	21	12	171	120	42	M6	126	1/2
100	51	177	148	29	14	207	150	53	M6	156	3/4
100	58	177	148	29	14	214	150	53	M6	156	1
147	72	251	207	44	21	275	205	76	M8	211	1 1/4
147	83	251	207	44	21	281	205	76	M8	211	1 1/2
147	101	251	207	44	21	288	205	76	M8	211	2

The technical data are not binding. They neither constitute expressly warranted characteristics nor guaranteed properties nor a guaranteed durability. They are subject to modification. Our General Terms of Sale apply.

Georg Fischer Piping Systems Ltd, Postfach, CH-8201 Schaffhausen/Switzerland Phone +41 -(0)52-631 1111 e-mail:
 info.ps@georgfischer.com Internet: <http://www.gfps.com>