

Manual Operation Valve

ESLON Butterfly Valve

Plastic Gear 350A-600A

Anti corrosion

Rust prevention

Weight saving

- Reliable sealing performance as spherical disc and preventive flange design against over-tightening.
- Changeable assembled direction of worm gear handle into opposite even after installation.
- Exchangeable into lever type or automatic type by dismounting worm gear.

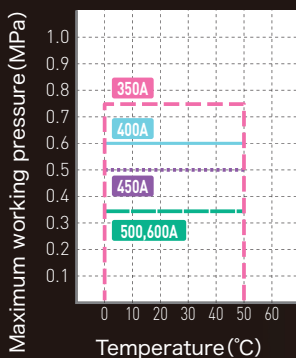
400-600A
Type G Gear Box

350A
Type C Gear Box

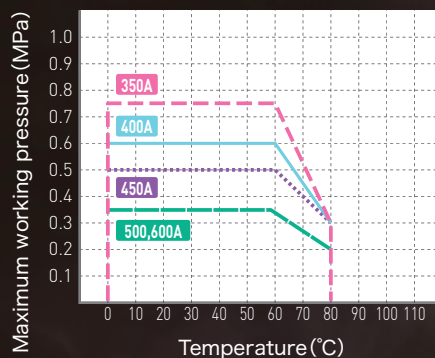
Operating Temperature (°C)
PVC 0-50 / PP 0-80 / PVDF 0-120

Maximum Working Pressure - Temperature Rating

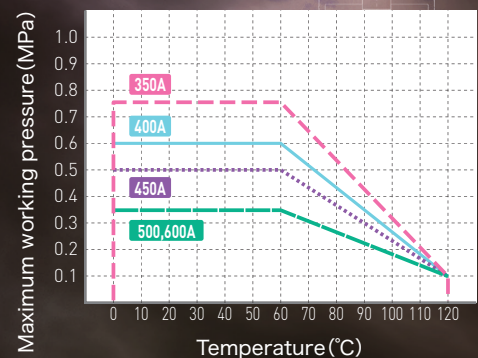
Body material : PVC



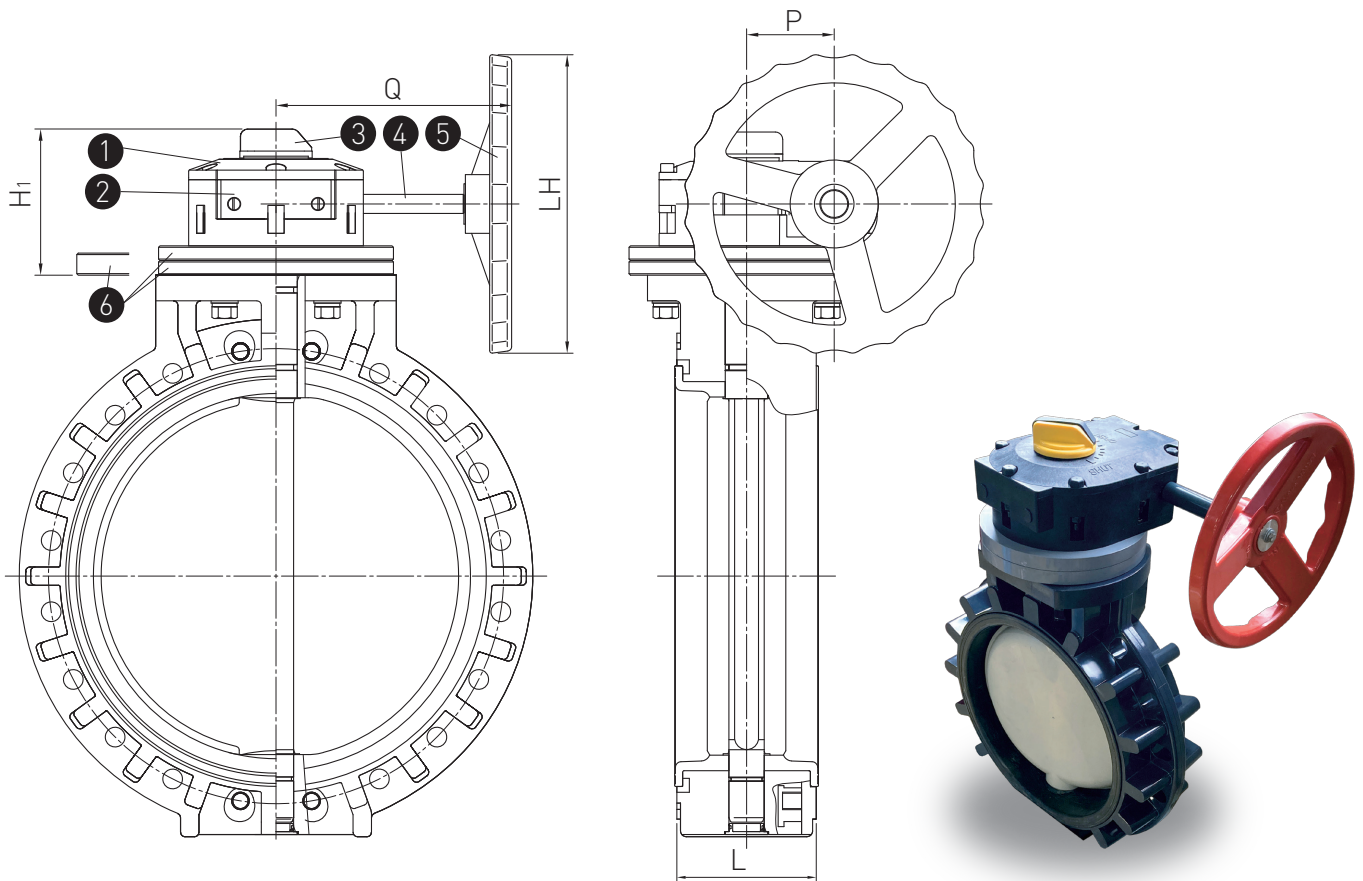
Body material : PP



Body material : PVDF



Figure



Size

A (B)	L	H ₁	LH	P	Q	GearBox
40 (1·1/2)	33	72	125	36	135	Type A
50 (2)	43	72	125	36	135	
65 (2·1/2)	46	72	125	36	135	
80 (3)	46	72	125	36	135	
100 (4)	52	72	125	36	135	
125 (5)	56	84	210	68	178	Type B
150 (6)	60	84	210	68	178	
200 (8)	71	84	210	68	178	
250 (10)	78	115	350	88	270	Type C
300 (12)	114	115	350	88	270	Type C
350 (14)	129	115	350	88	270	Type C
400 (16)	169	350	350	120	350	Type G
450 (18)	179	370	350	120	350	
500 (20)	190	410	410	120	321	
500 (20)	190	410	410	120	321	
600 (24)	209	465	410	120	321	

Parts List

No	Part Name	Q'ty	Material	
1	Housing cover	1	GF-PP	
2	Housing	1	GF-PP	
3	Indicator	1	ABS	
4	Shaft cover	1	PVC	
5	Handle	1	ABS	
6	Plate	PVC,PP	2	PVC
		PVDF	1	SUS316

SEKISUI CHEMICAL CO.,LTD. Industrial Piping Systems Division

2-10-4 Toranomom Minatoku, Tokyo, 105-8566 Japan TEL +81-3-6748-6489 FAX +81-3-6748-6553
<https://eslon-plant.jp/web-en/> E-mail: eslon_plant@sekisui.com

SEKISUI INDUSTRIAL PIPING CO., LTD.

No.156, Section 1, Zhongshan Road, Banqiao District, New Taipei City, 22065 Taiwan, R.O.C.
 TEL +886-2-2964-1478 FAX +886-2-2964-1959

SEKISUI (SHANGHAI) INTERNATIONAL TRADING CO., LTD.

Room 706, Metro Tower, No.30, Tianyaoqiao Road Shanghai. 200030, China
 TEL +86-21-6482-0638 FAX +86-21-6482-0639

SEKISUI SINGAPORE PTE, LTD.

7500A Beach Road #12-304/307 The Plaza 199591, Singapore
 TEL +65-629-637-88 FAX +65-629-677-23

SEKISUI CHEMICAL GmbH

Koenigsallee 106, 40215 Dusseldorf, Germany
 TEL +49-211-36977-0 FAX +49-211-36977-31

SEKISUI VIETNAM CO., LTD.

Room1414, CornerStone Building, 16Phan Chu Trinh St, Hoan Kiem District, Hanoi, Vietnam
 TEL +84-4-3939-2677 FAX +84-4-3939-2678